



Intercom

Desktop & Wall-Mount Intercoms

IP Enabled All-in-One Intercoms - Desktop or Wall Mount

frequent rearrangement such a classroom or office reassignment. A wall-mount plate is included.

Features:

- High-definition full duplex digital audio
- High-sensitivity microphone for two-way conversations
- Power-over-Ethernet (PoE)
- Multicast Protocol enables seamless, low-bandwidth audio
- Deploy with TalkMaster™ Focus, VoIP telephones, custom software, or third-party applications
- Single CAT 5/5e/6 cable installation
- Direct Mode functionality supports remote contact closure



Description:

Digital Acoustics Desktop/Wall-Mount Intercoms are designed for indoor environments. These flexible intercoms provide intelligible, two-way audio for monitoring for remote stations, classrooms, guard desks, reception/entrance locations and more.

The **IP7-EDx-PoE** is simple to configure and install, and is ideal for new construction, upgrades of existing buildings or replacement of older analog systems. These intercoms are perfect when the deployment or configuration of a system requires

Hardware Specifications:

Network Protocols - TCP, UDP, RTP, SIP, ICMP, IGMP
Multicast Network Interface - 10/100 Base-T Ethernet, Auto-MDIX
Core Technology - ICC-512 50 MIPS System on a Chip
IP Address Assignment - Static, DHCP
Transport Bandwidth - Nominal 64kbps
Audio Protocol - 8-bit PCM/G.711 uLaw
Audio Latency - <200ms Auto-Adaptive
Audio Line In/Out - Nominal 1V p/p
Speaker Out - 1 Watt
Microphone - On-board Electret with software controlled AGC
Power (Nominal) - 7.5 - 9VDC @ 5W
PoE Standard - 802.3af
Diagnostics - LED Status, Temperature and Power Monitoring
Programming - Flash programmable via Ethernet
Fault-Management - Advanced Fail-Forward™ fault detection
Temperature (°C) -30~70 (Operating), -40~85C (Storage)
Size - 5.3 x 4.0 x 1.35 in (98 x 91 x 35 mm)

Connection Modes:

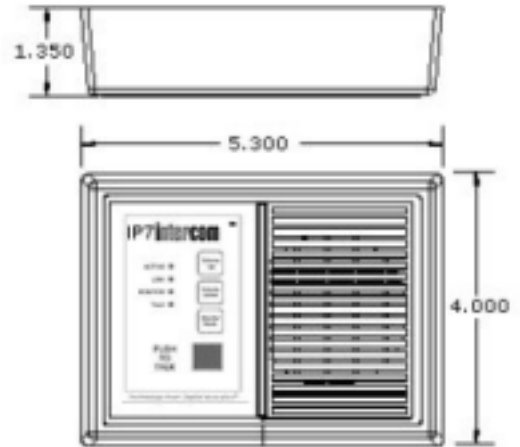
TalkMaster™ Focus Endpoint
SIP 2.0 Endpoint
Hybrid TalkMaster™ Focus/SIP 2.0 Endpoint
Direct Mode
Singlewire Informacast



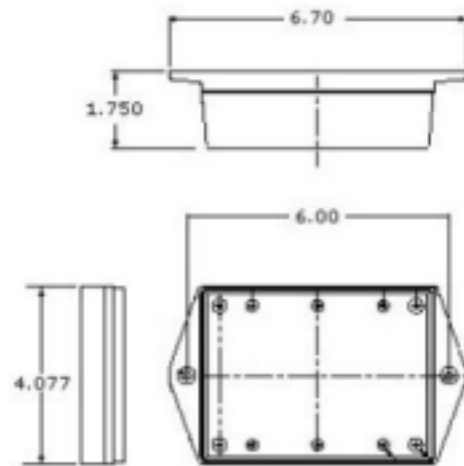
CONFIGURATIONS & Part Numbers

IP7-EDW-PoE - White, includes surface mount plate
IP7-EDB-PoE - Black, includes surface mount plate.

Desktop – IP7-EDx



Surface Mount – IP7-ESx



Visit www.DigitalAcoustics.com to learn about software products to complete your IP audio system.

